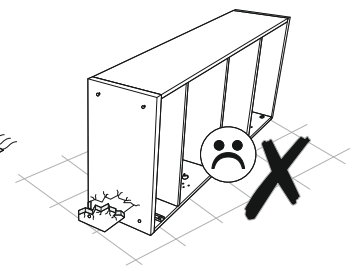
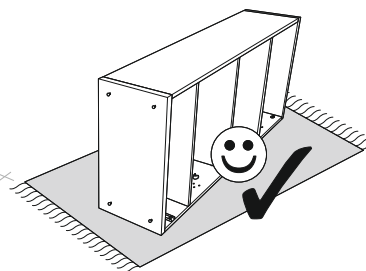
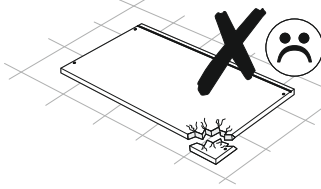
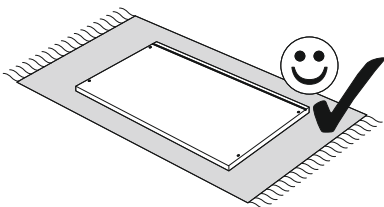
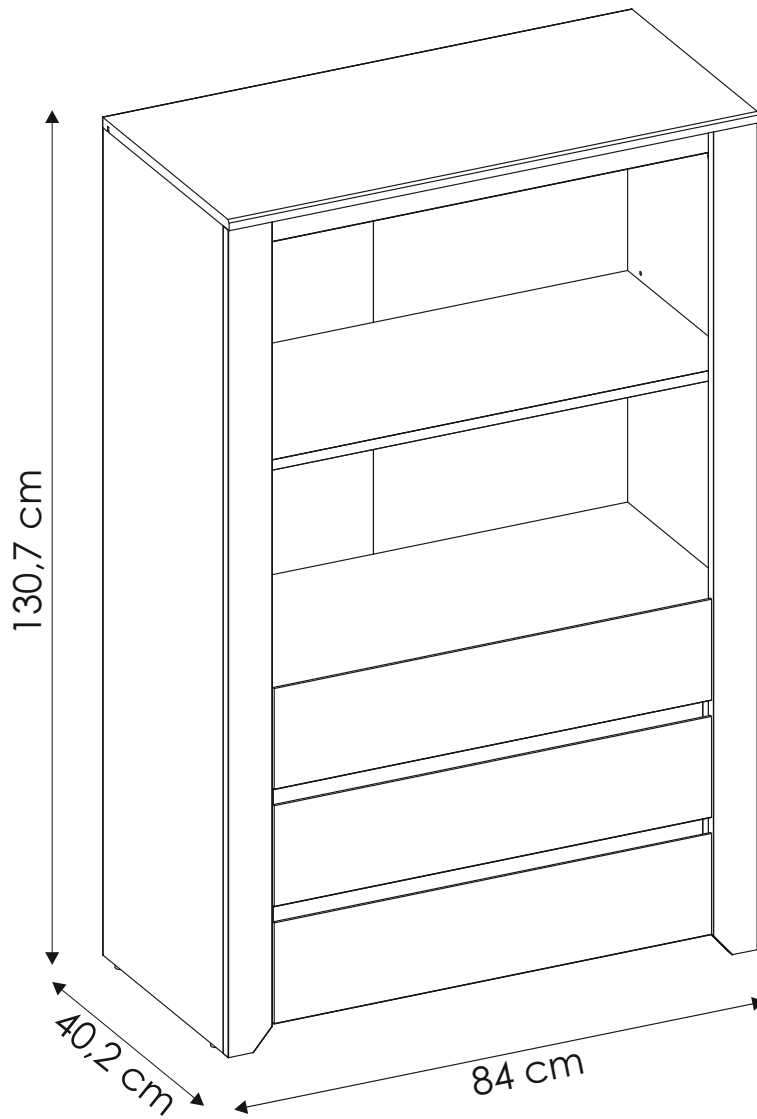
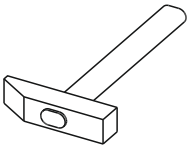
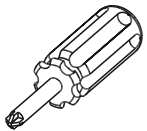
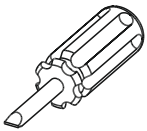
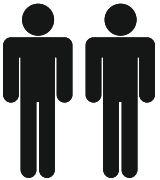
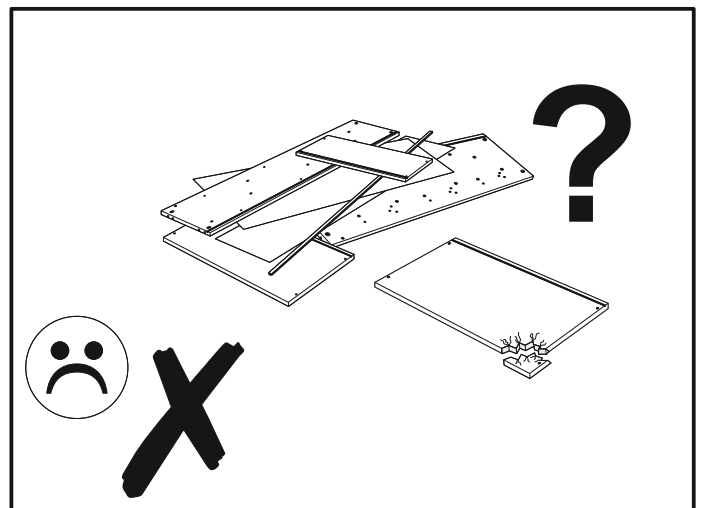
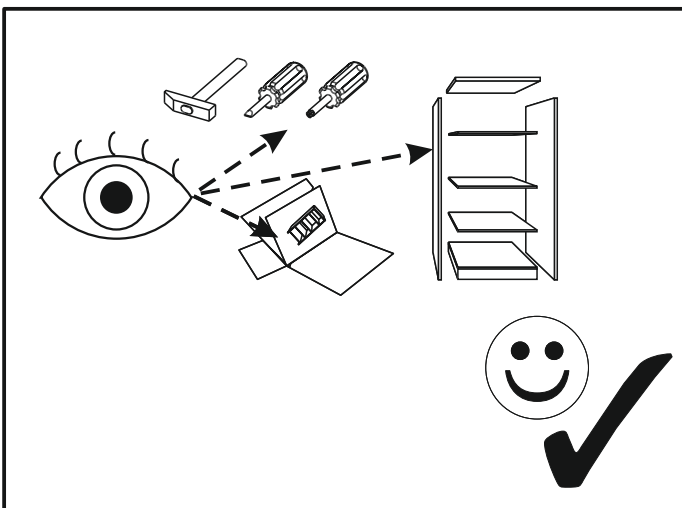
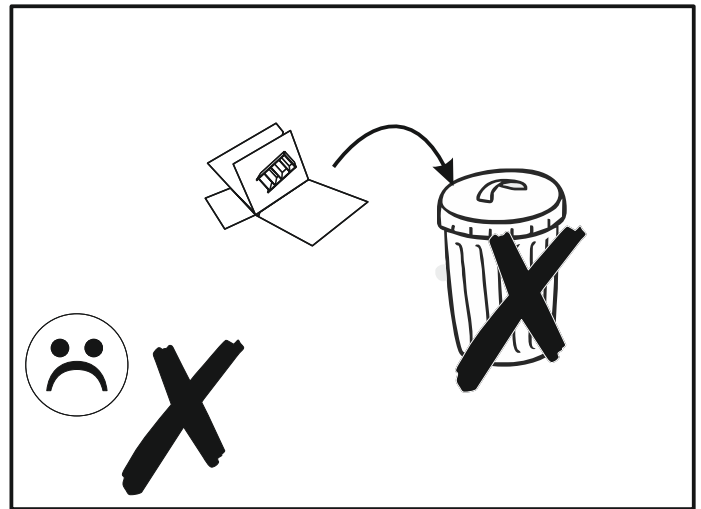
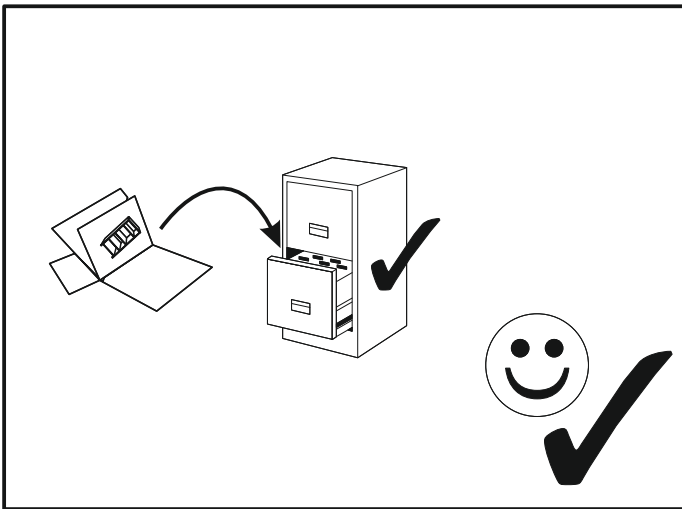
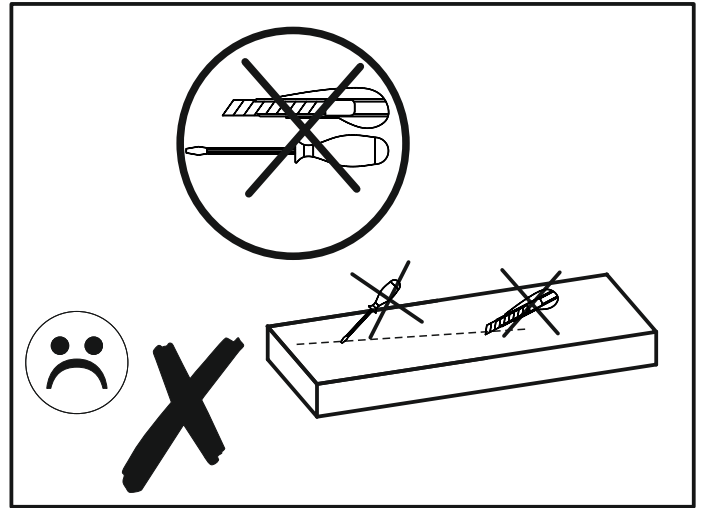
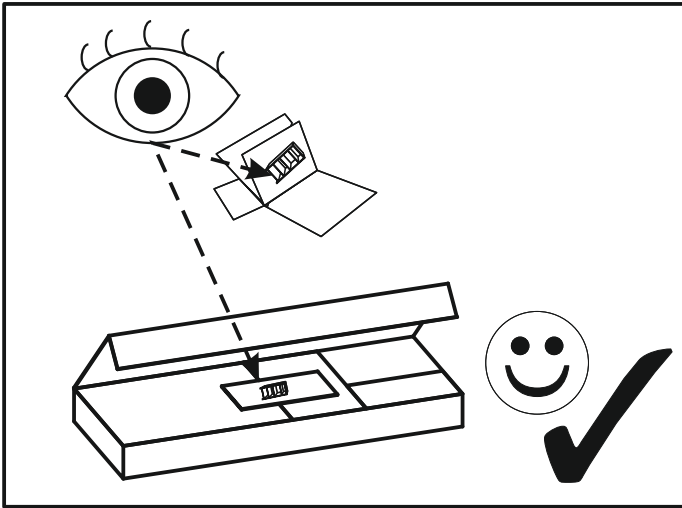




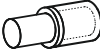
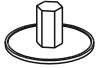

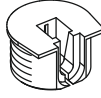

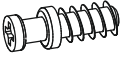


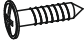


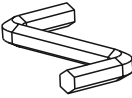

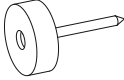

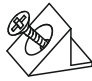


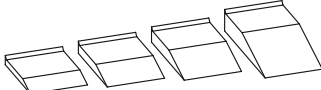
ANGEL 32

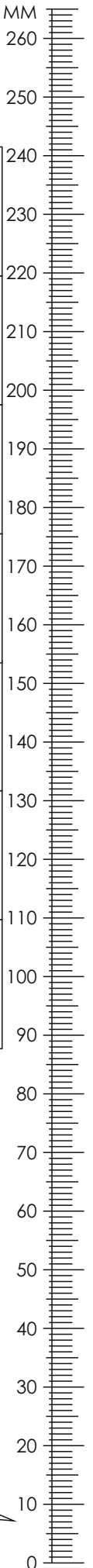
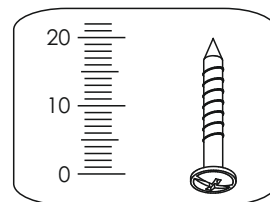




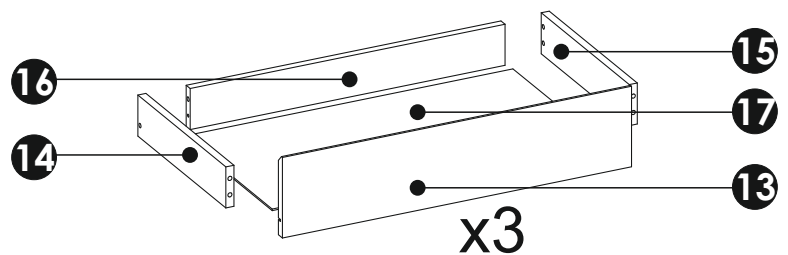
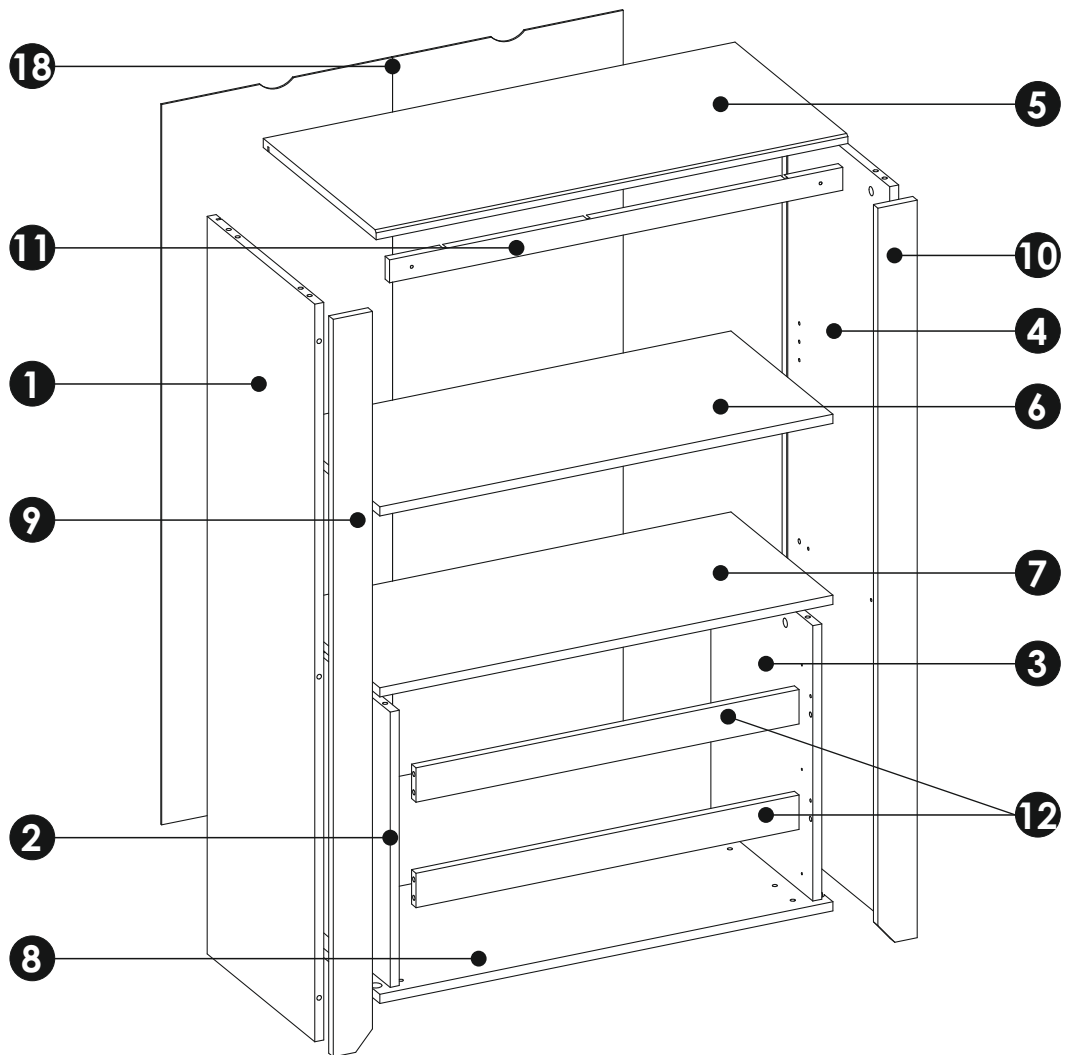
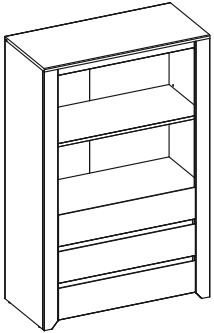
ANGEL 32

MM

<p>A1 x 32 \varnothing8 x 35 mm</p> 	<p>C2 x12 5 x 13 mm</p> 	<p>D2 x 4</p> 
<p>E0 x 28</p> 	<p>E1 x 28 \varnothing15 x 12 mm</p> 	<p>E2 x 7</p> 
<p>F1 x28</p> 	<p>F2 x 7</p> 	<p>G0 x 10</p> 
<p>G1 x10 f7 x 50 mm</p> 	<p>I2 x 24 x 16 mm</p> 	<p>I5 x 2 3,5 x 30mm</p> 
<p>J1 x 18 3 x 20mm</p> 	<p>M x 1</p> 	<p>N1 x 40 3 x 16 mm</p> 
<p>O2 x 4</p> 	<p>Q9 x2</p> 	<p>R4 x17</p> 
<p>R10 x 6</p> 	<p>T3 x 3</p> 	<p>Z x 1</p> 



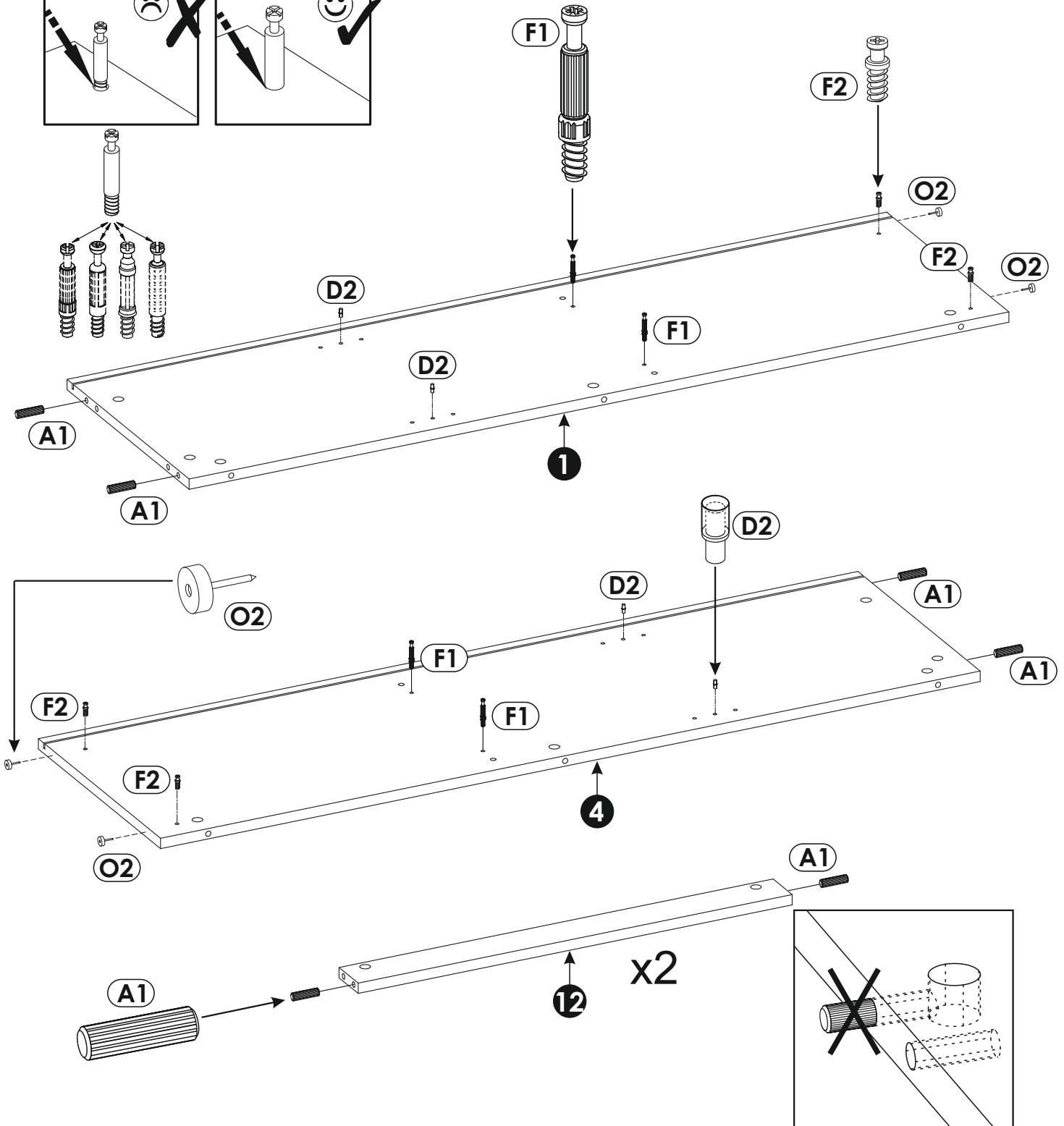
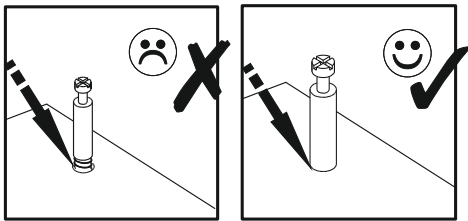
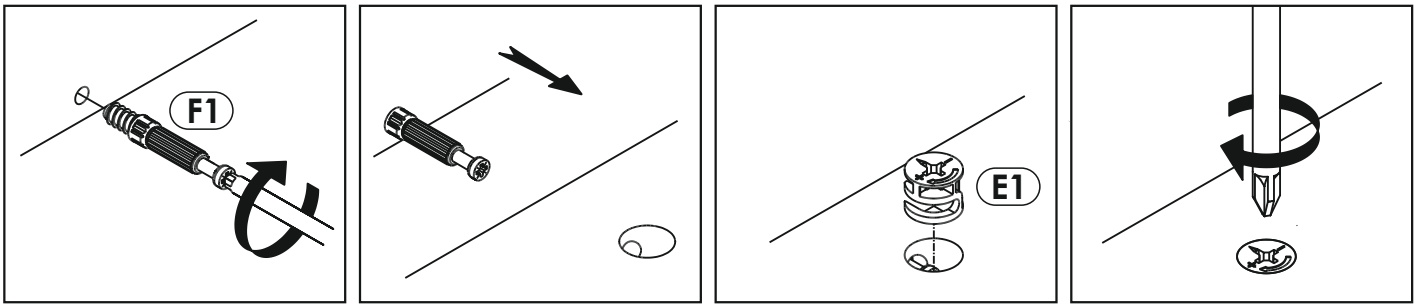
ANGEL 32



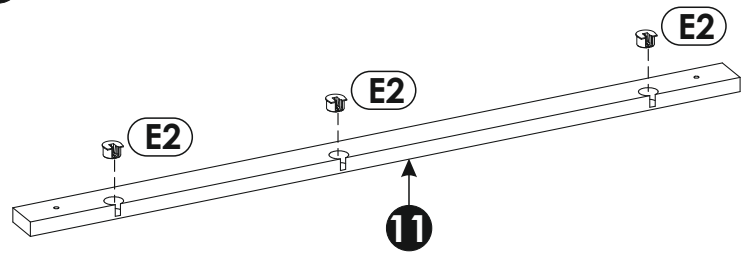
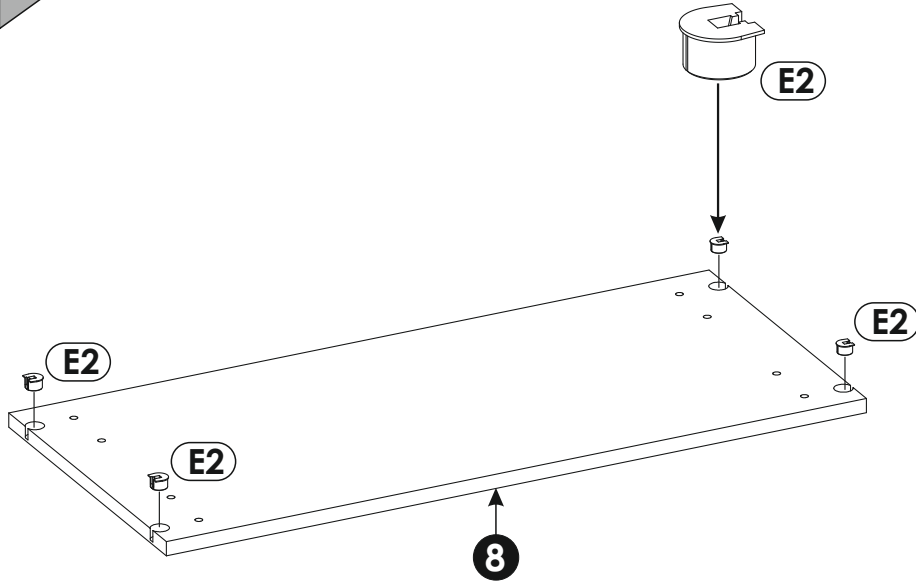
1	1286	383	16	x1	2/2
2	480	363	16	x1	1/2
3	480	363	16	x1	1/2
4	1286	383	16	x1	2/2
5	840	402	16	x1	1/2
6	807	363	16	x1	1/2

7	807	363	16	x1	1/2
8	807	363	16	x1	1/2
9	1286	70	16	x1	2/2
10	1286	70	16	x1	2/2
11	807	40	16	x1	2/2
12	682	60	16	x2	2/2

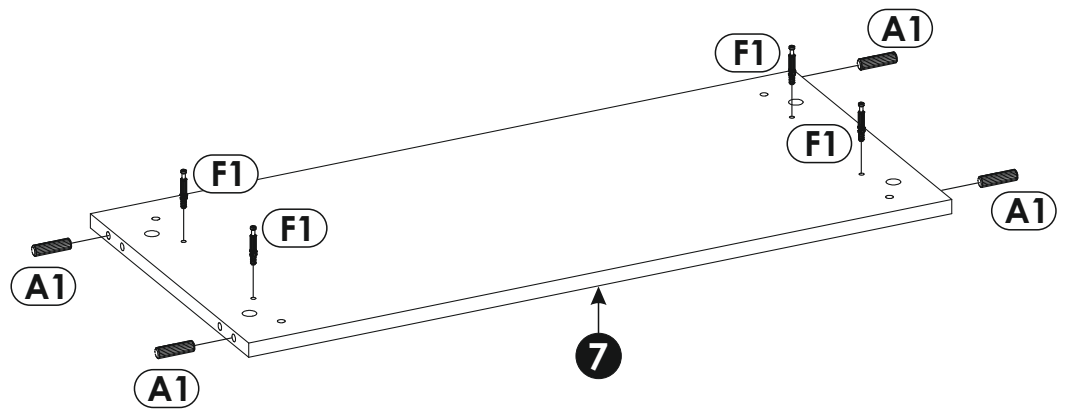
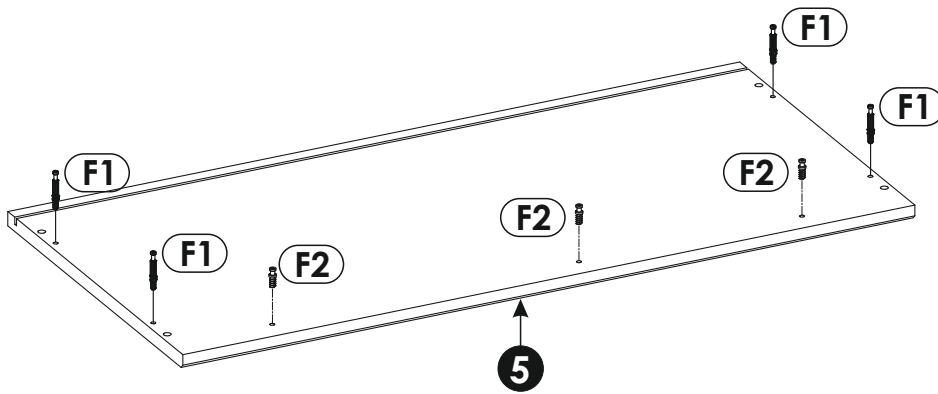
13	694	157	16	x3	1/2
14	350	80	16	x3	1/2
15	350	80	16	x3	1/2
16	626	80	16	x3	1/2
17	656	355	3	x3	1/2
18	1256	822	3	x1	2/2



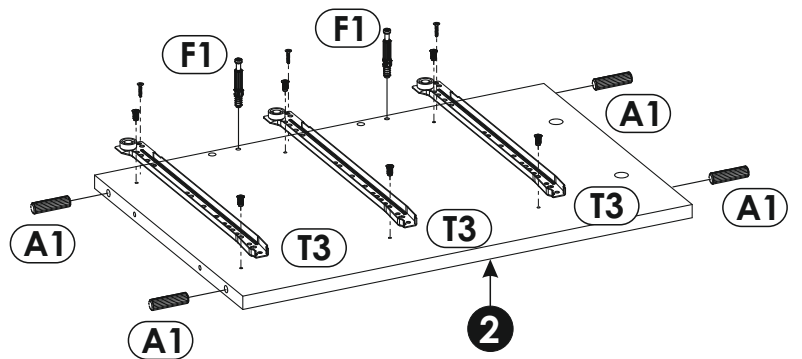
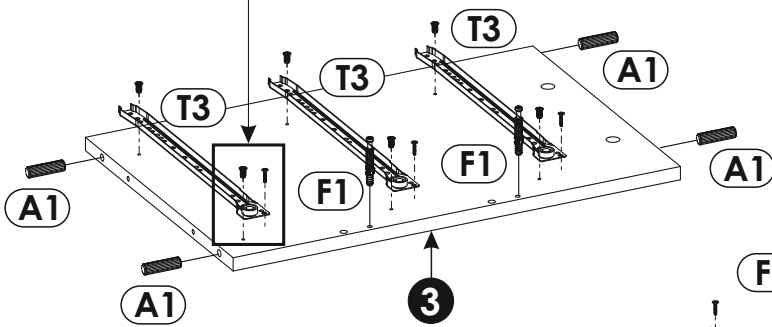
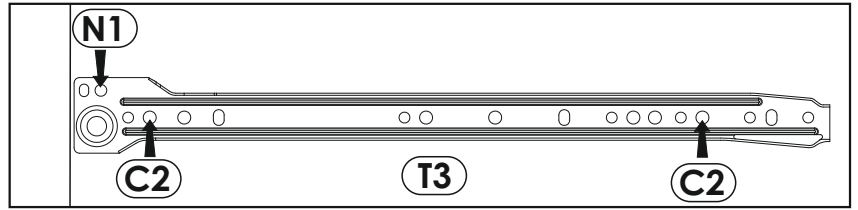
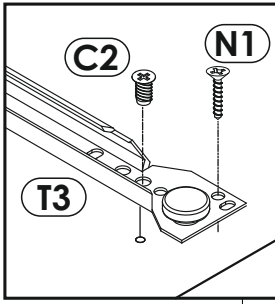
2 ▶



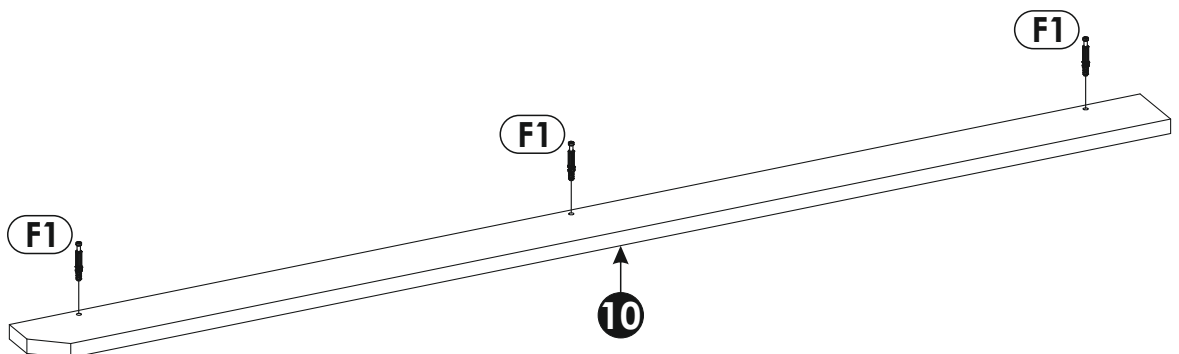
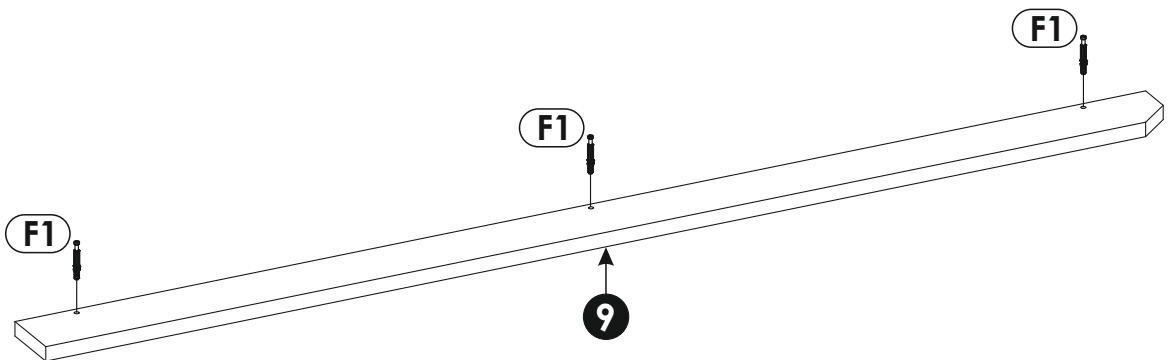
3 ▶



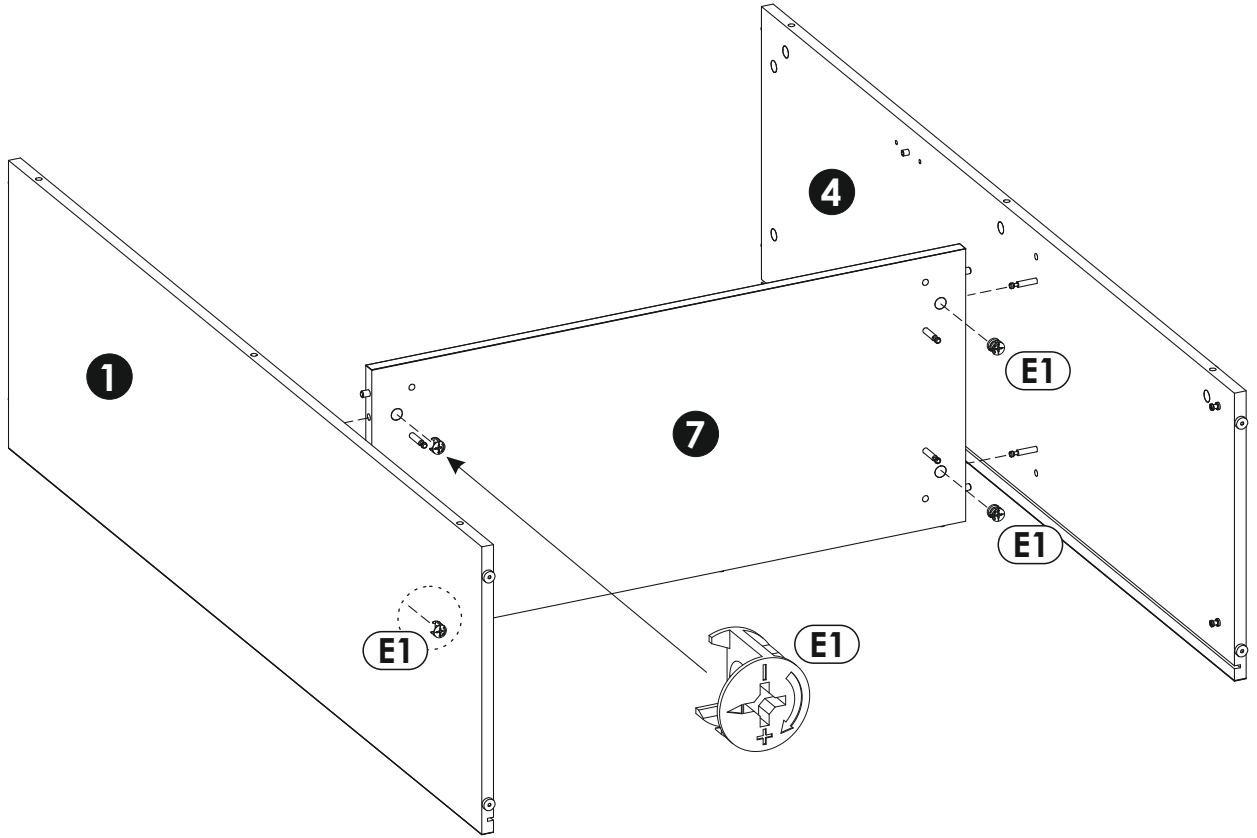
4 ▶



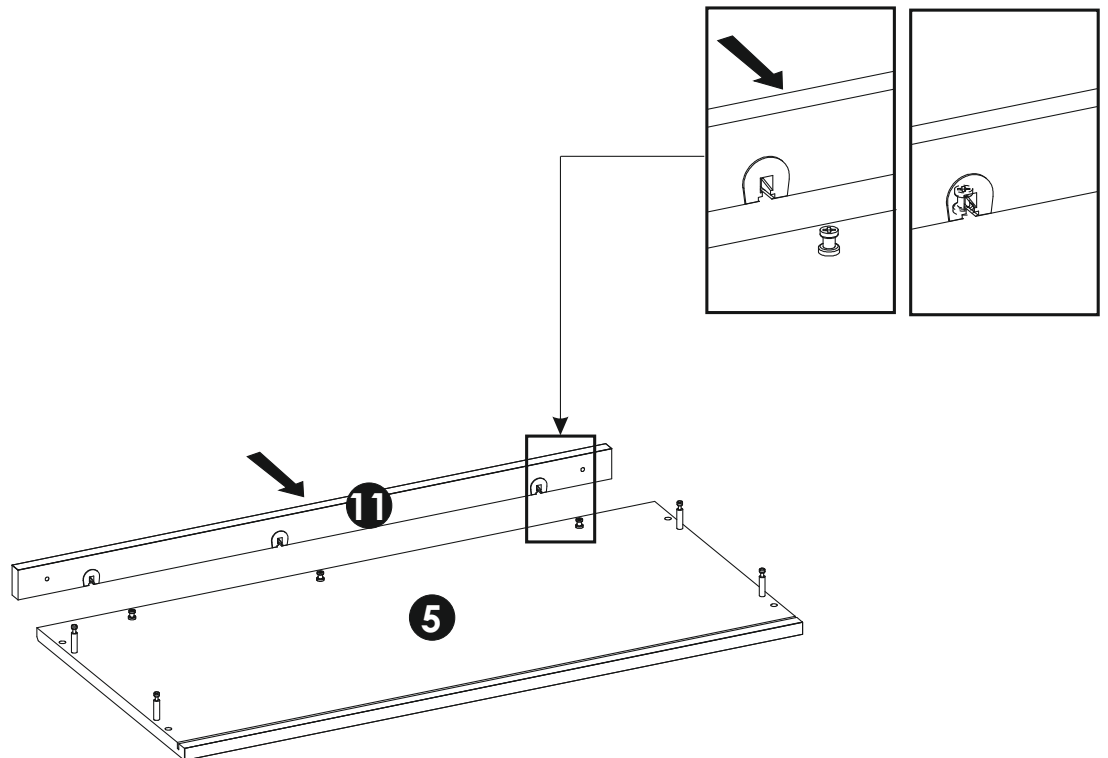
5 ▶



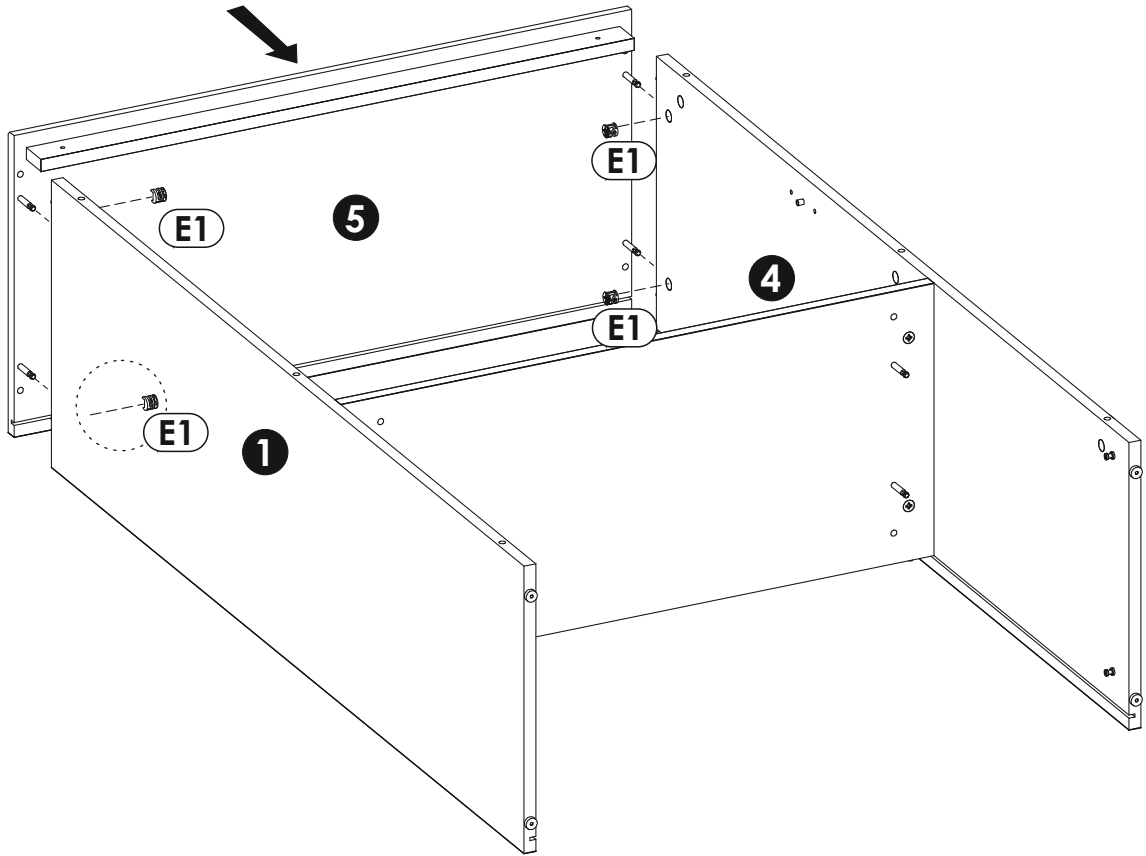
6 ▶



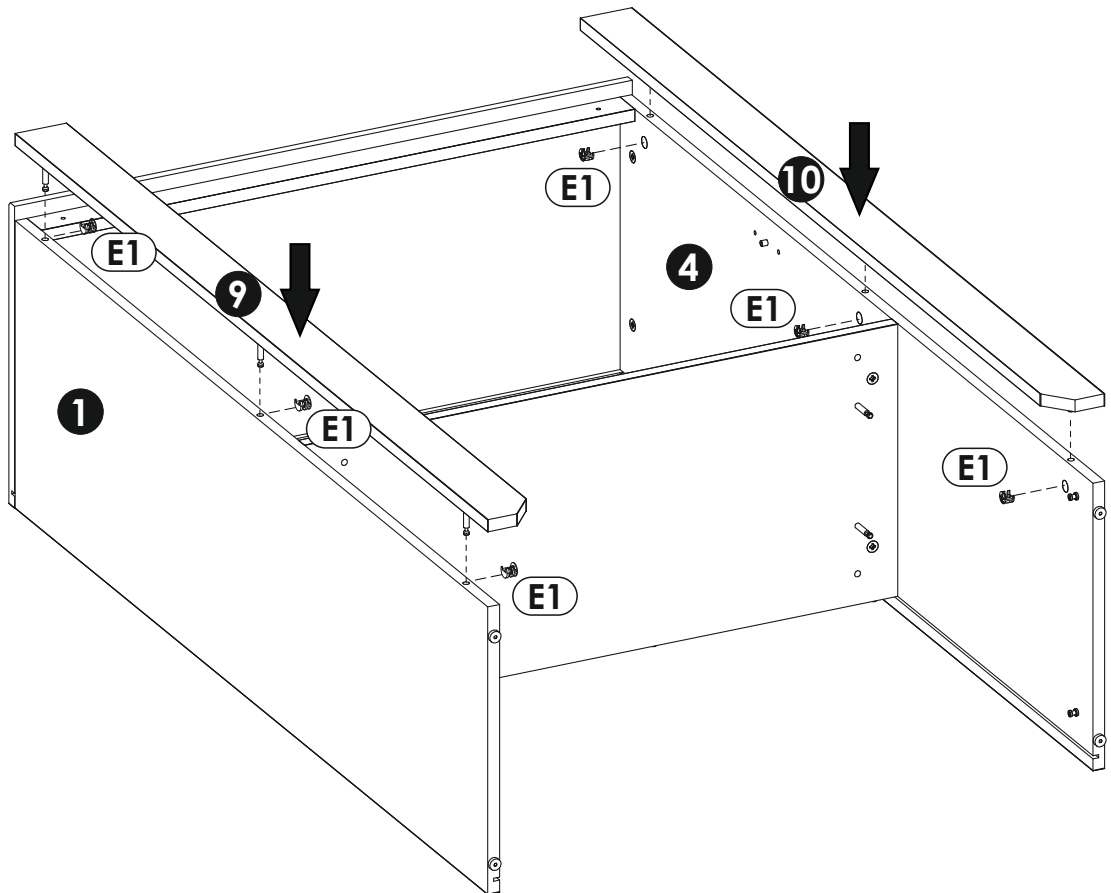
7 ▶



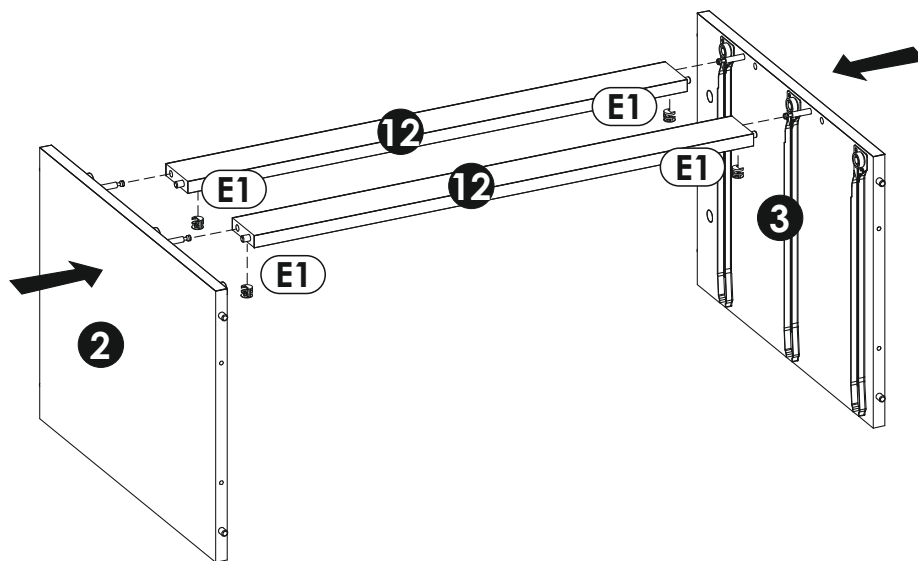
8 ▶



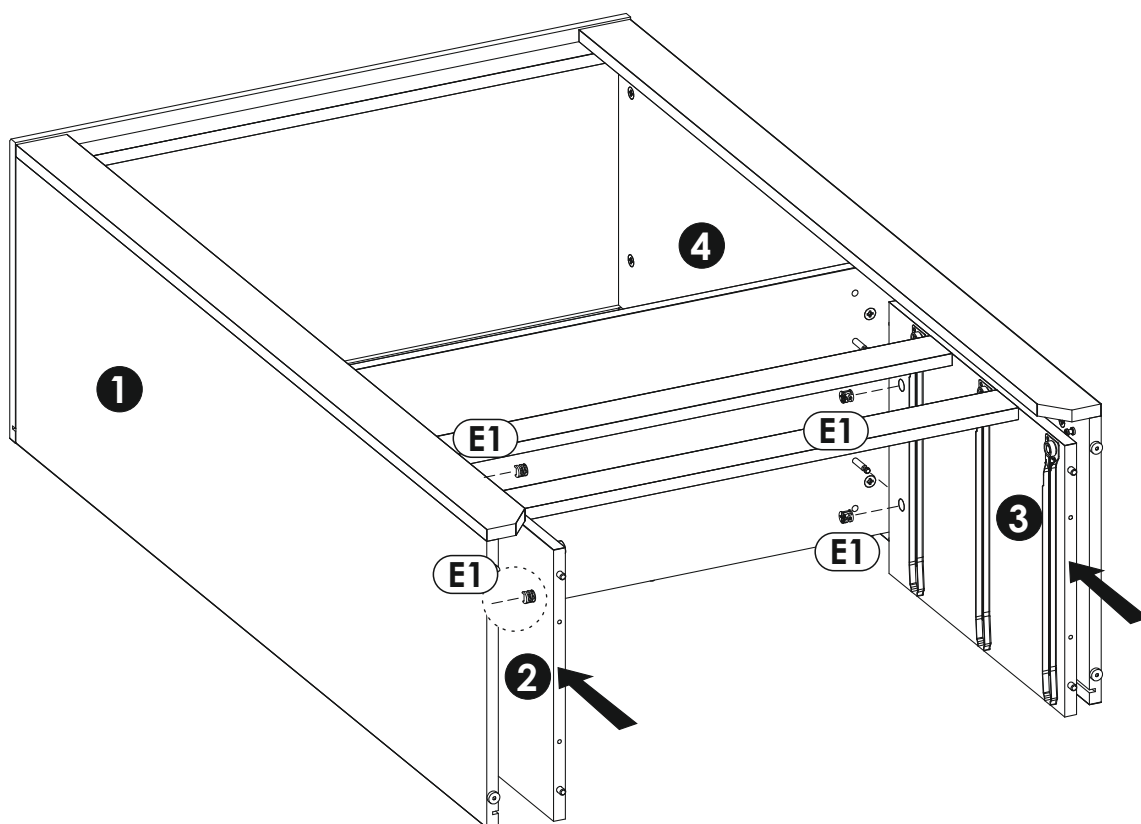
9 ▶



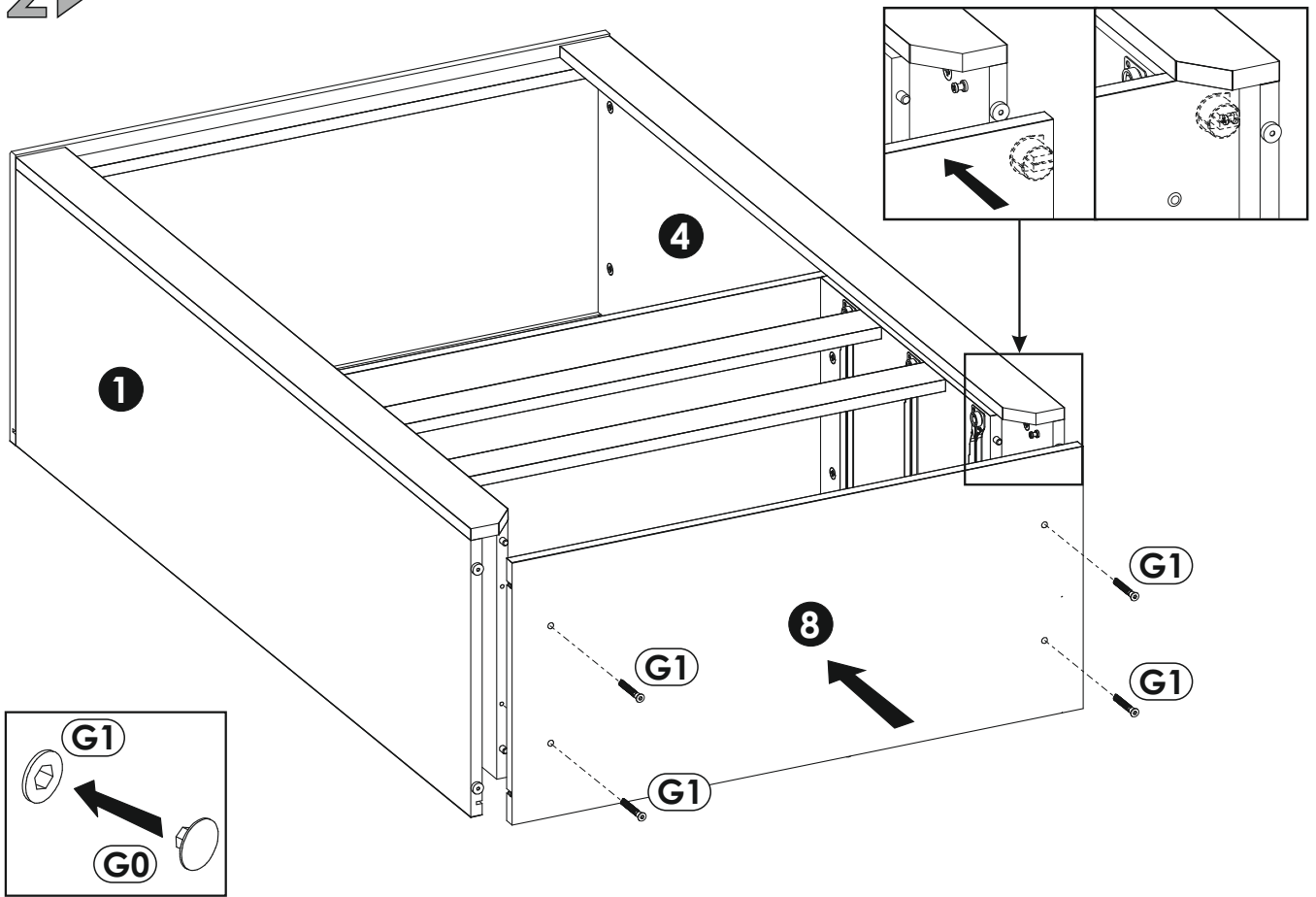
10 ▶



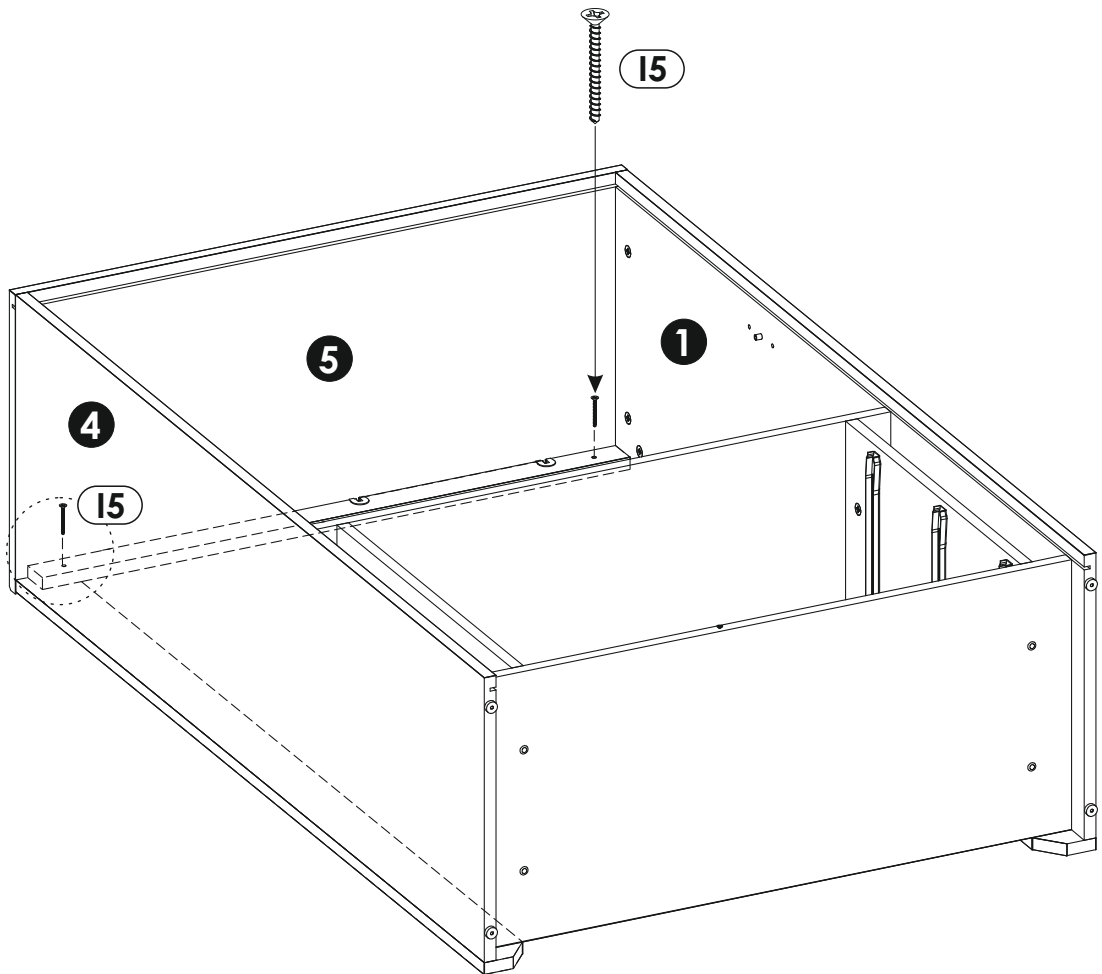
11 ▶



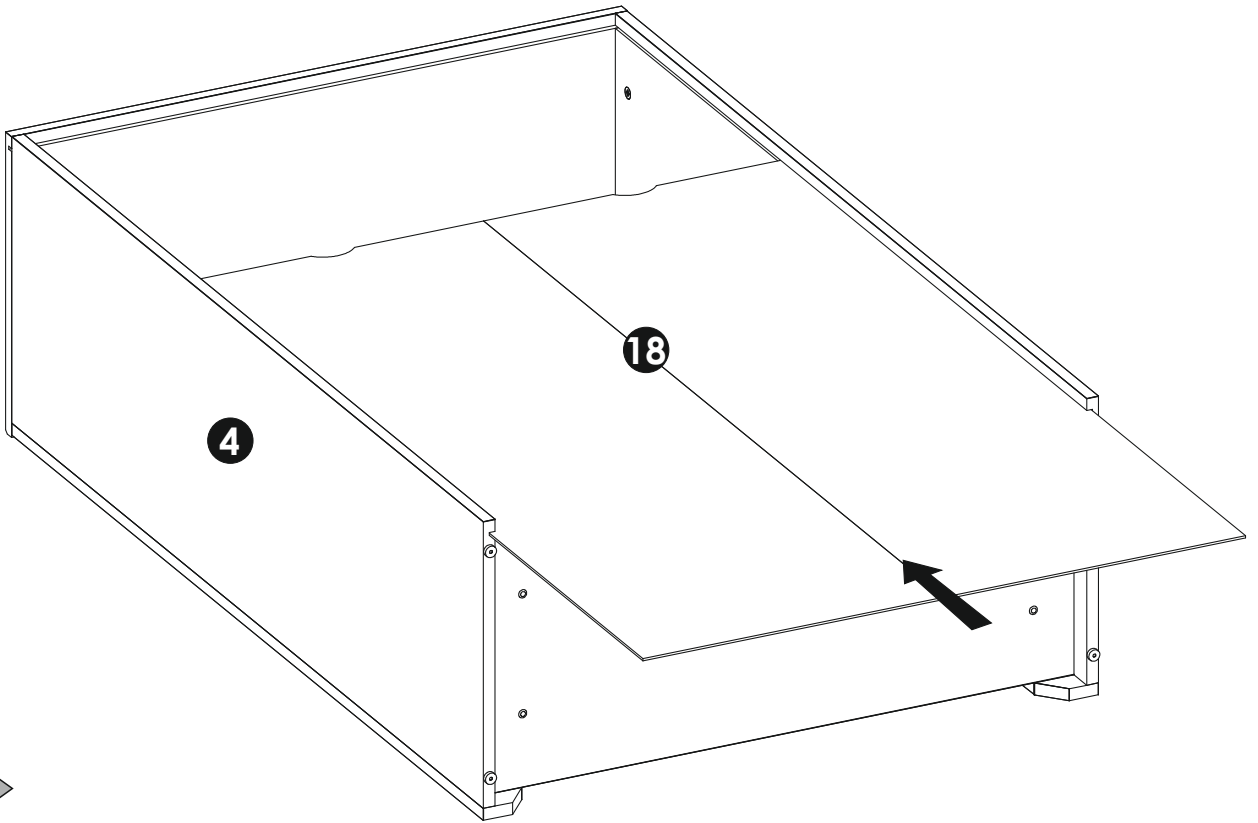
12 ▶



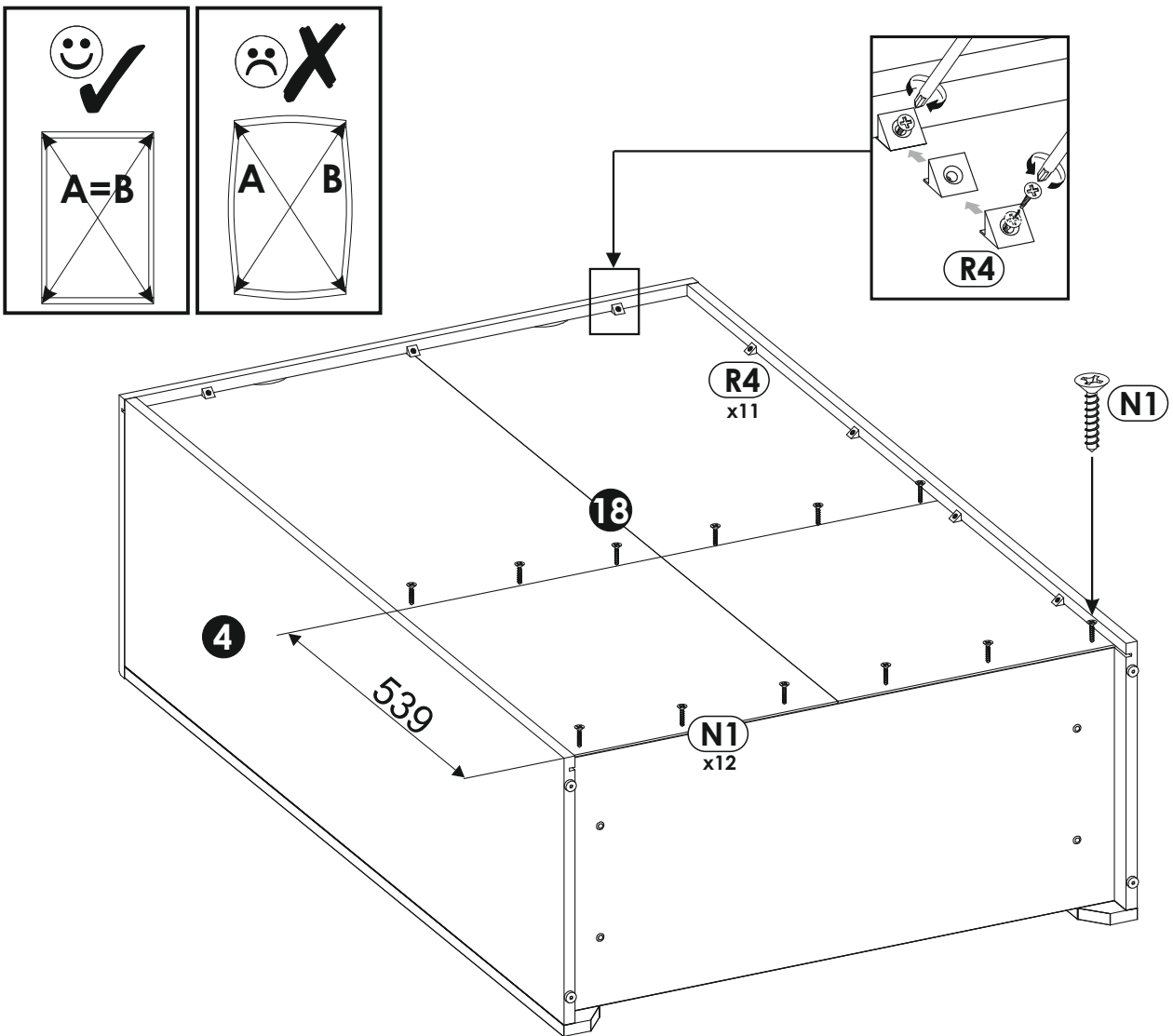
13 ▶

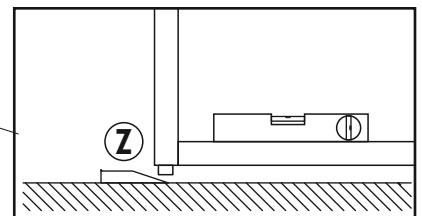
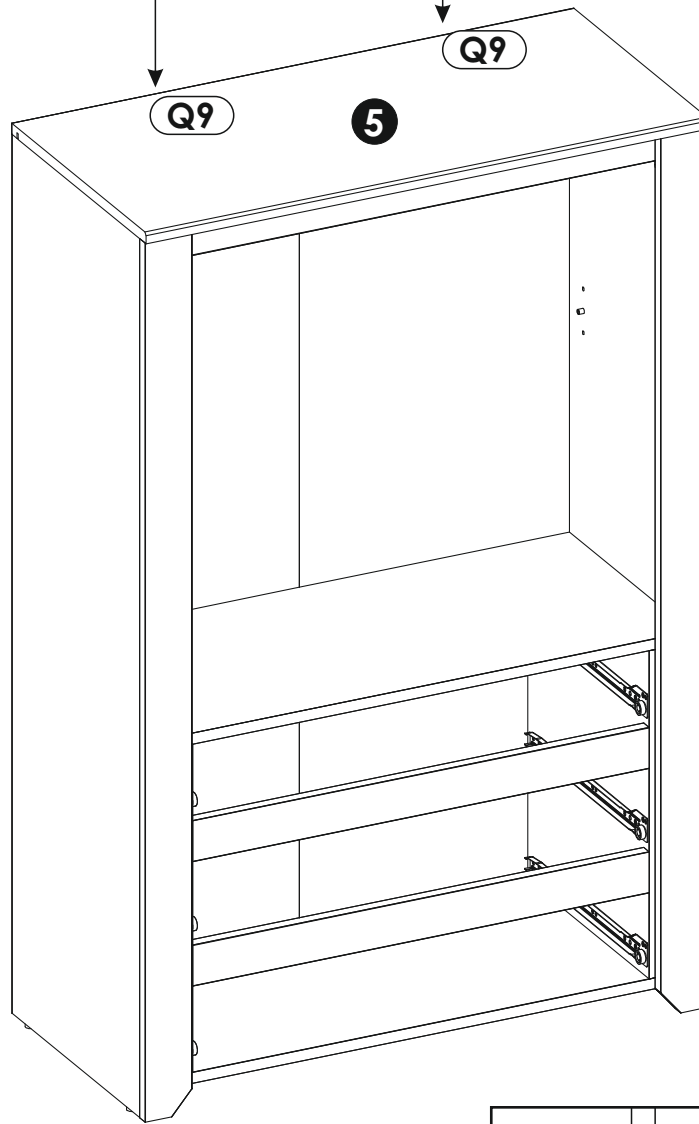
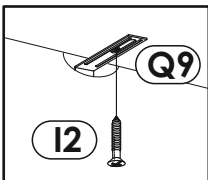
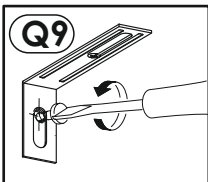
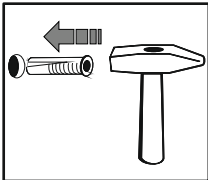
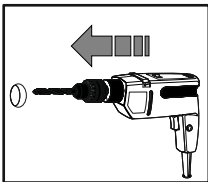
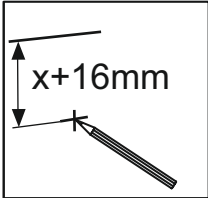
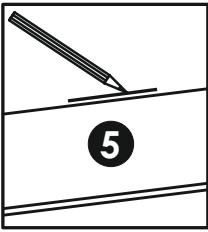
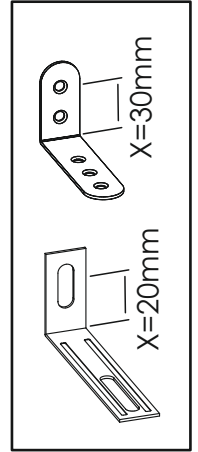
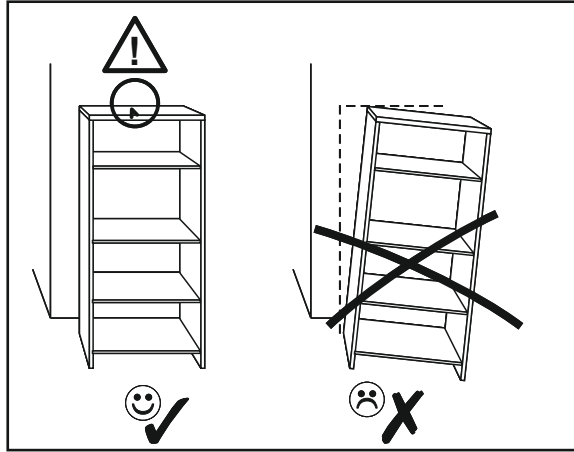


14▶

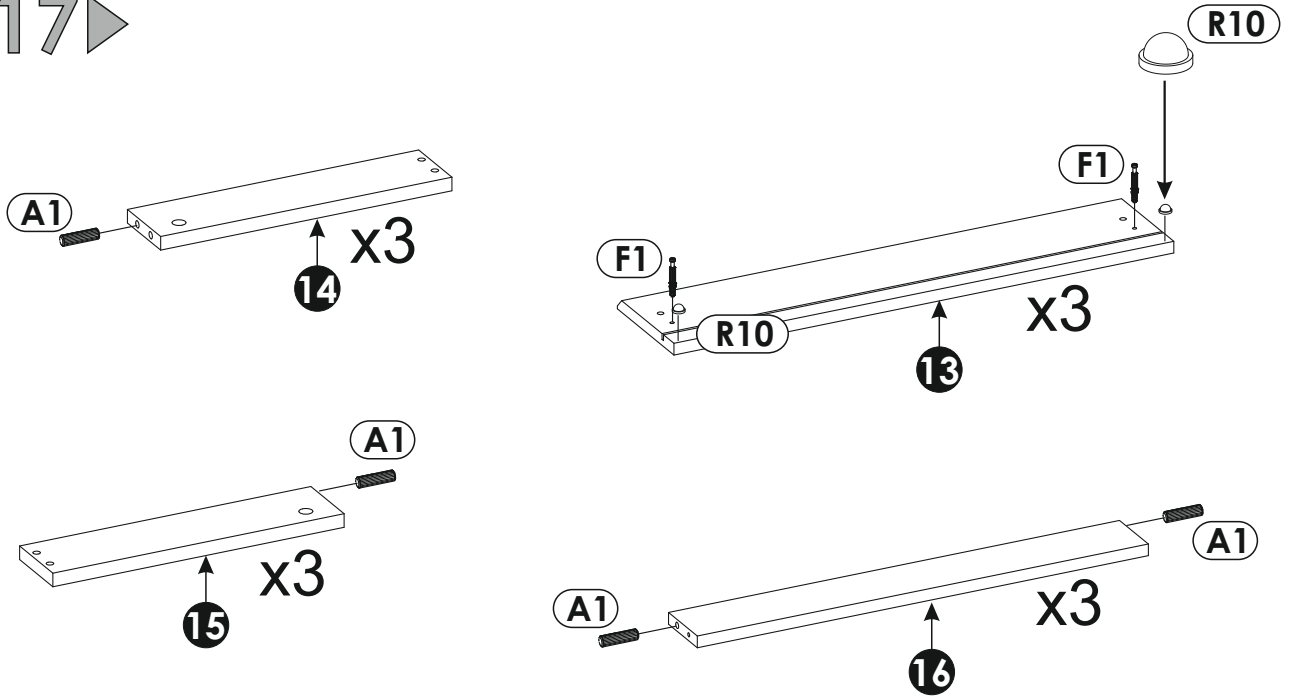


15▶

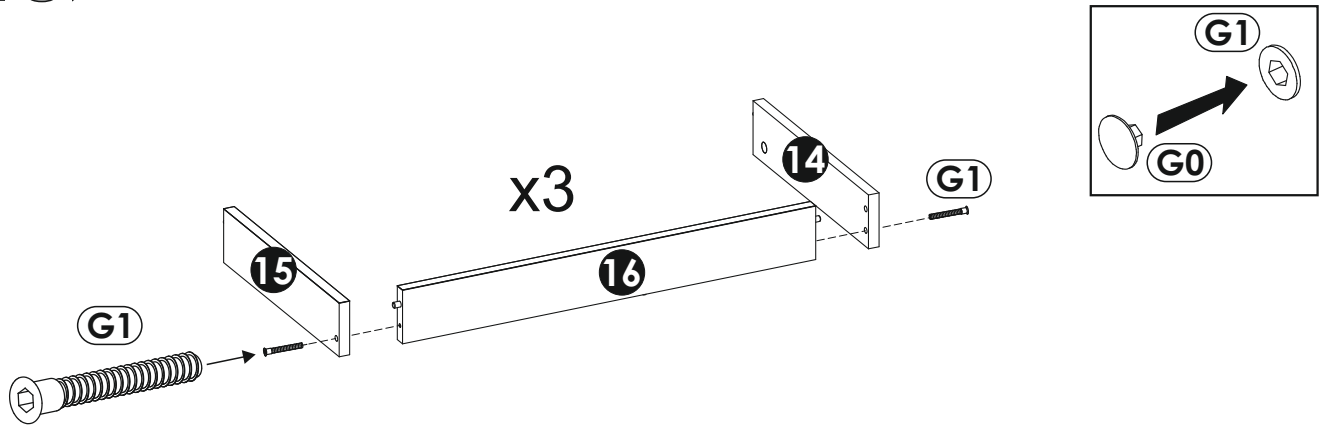




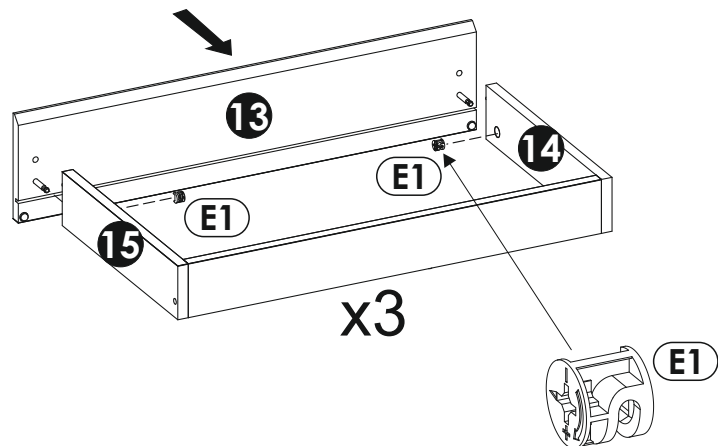
17 ▶



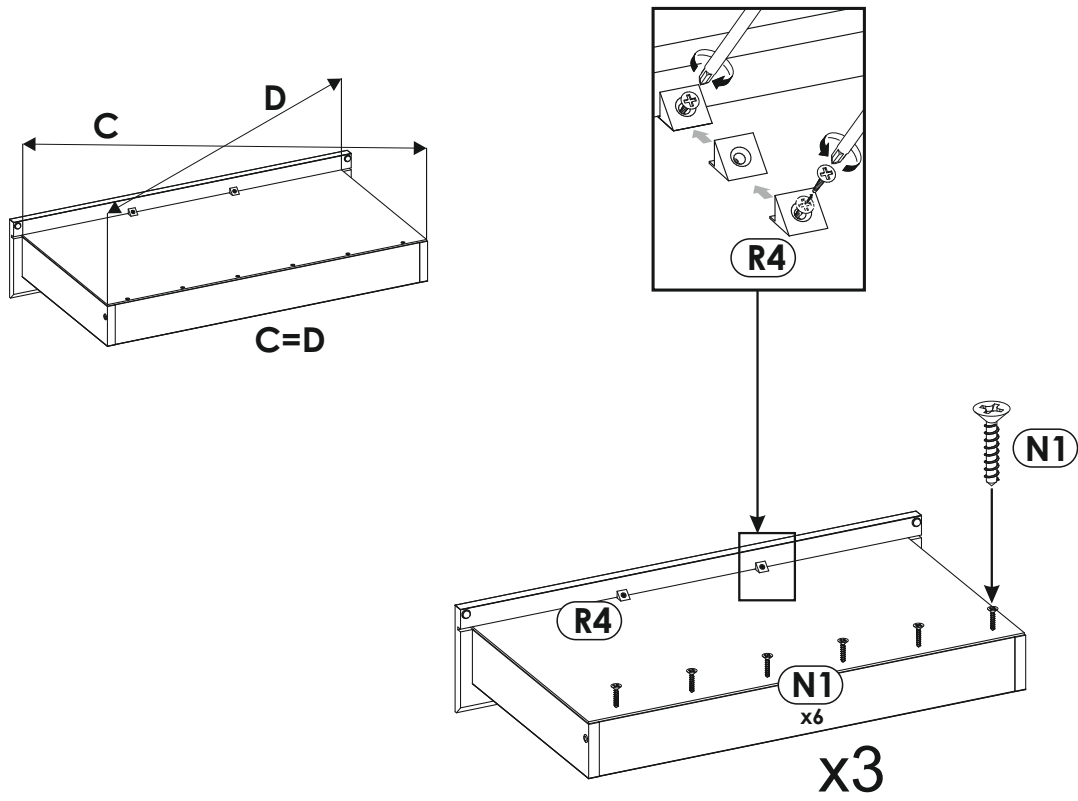
18 ▶



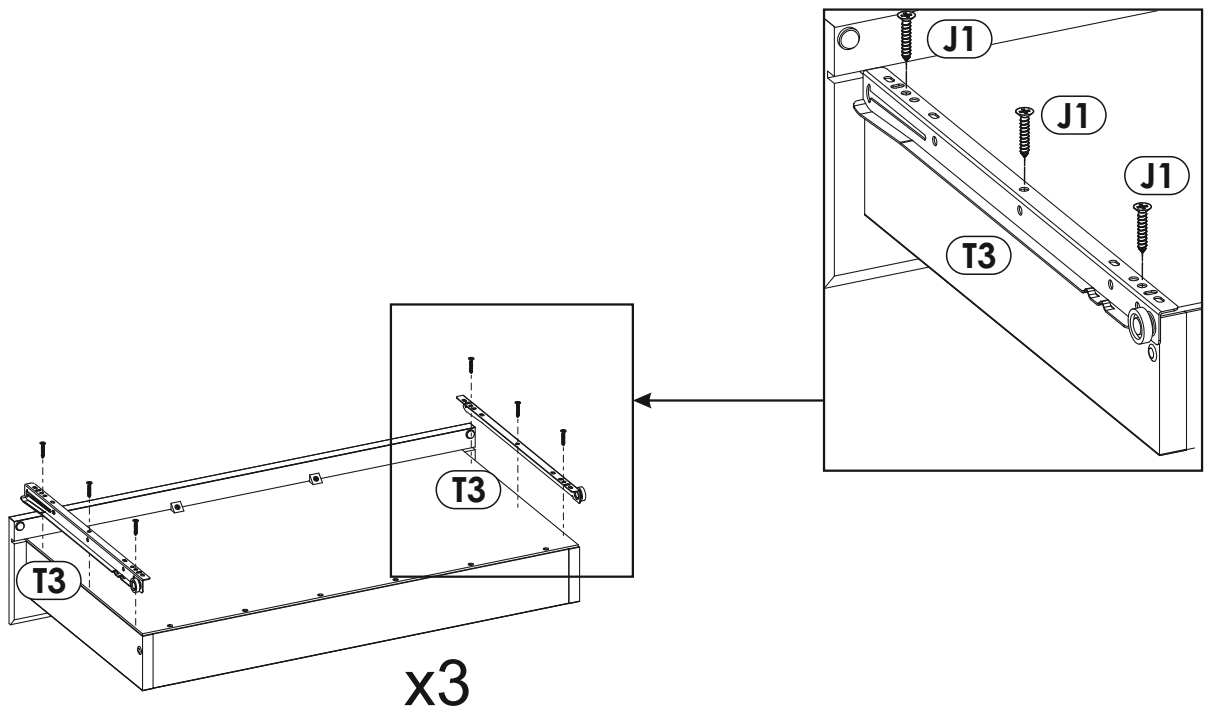
19 ▶



20 ▶



21 ▶



22 ▶

